

Butterfly Valve



Wafer Style • Epoxy-Coated Ductile Iron Body • Stainless Steel Disc



BFV-Wafer

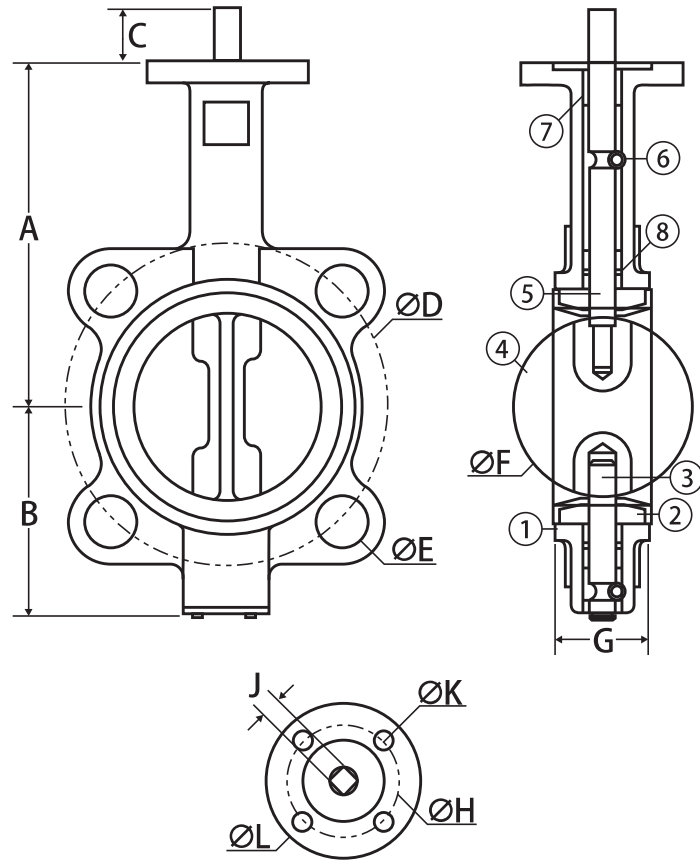
CRN# 0C09891.2

Features

- Designed for commercial and industrial applications up to 200 PSI
- Easily accepts actuator with ISO 5211 mounting flange
- Available in EPDM, PTFE, Buna-N, or Viton® seats
- Meets API 609 & MSS SP-67
- Seat to flange seal eliminates the need for flange gaskets
- Epoxy coated finish
- Ideal for mounting pneumatic/electrical actuators
- Square stem for direct mount
- Wetted surfaces contain less than .25% lead content

Approvals

- API 609
- MSS SP-67



Material Specifications

No.	Part	Materials
1	Body	Ductile Iron - Epoxy Coated
2	Seat	*Varies*
3	Lower Shaft*	410 Stainless Steel
4	Disc	CF8M Stainless Steel
5	Upper Shaft	410 Stainless Steel
6	Locating Pin (2)	Carbon Steel
7	Bushing (3)	PTFE
8	O-ring (2)	EPDM

2" - 12" only, 14" - 36" are pin through shaft style

Seat Temperature Ranges

	Size	Buna-N	EPDM	Viton	PTFE
Temperature range (° F)	2" - 36"	10 to 180	-30 to 250	10 to 275	-20 to 250
Inline service (psi)	2" - 12"	200	200	200	200
	14" - 36"	150	150	150	150

When ordering butterfly valves please specify the seat in the _ space with the following letter designations: E = EPDM P = PTFE V = VITON B = BUNA

Dimensions

Part No.	Size	A	B	C	D	E	F	G	H	J	K	L	Weight
900-02DS_L	2"	6.34	3.15	1.26	4.74	4 : 0.75	2.07	1.65	1.97	0.35	4 : 0.28	3.03	5.51
900-212DS_L	2-1/2"	6.89	3.50	1.26	5.50	4 : 0.75	2.54	1.76	1.97	0.35	4 : 0.28	3.03	7.05
900-03DS_L	3"	7.13	3.74	1.26	6.00	4 : 0.75	3.10	1.78	1.97	0.35	4 : 0.28	3.03	8.38
900-04DS_L	4"	7.87	4.49	1.26	7.50	8 : 0.75	4.09	2.05	2.76	0.43	4 : 0.35	3.54	10.80
900-05DS_L	5"	8.39	5.00	1.26	8.50	8 : 0.87	4.85	2.14	2.76	0.55	4 : 0.35	3.54	15.43
900-06DS_L	6"	8.90	5.47	1.26	9.51	8 : 0.87	6.13	2.20	2.76	0.55	4 : 0.35	3.54	17.20
900-08DS_B	8"	10.24	6.89	1.61	11.75	8 : 0.87	7.97	2.39	4.02	0.67	4 : 0.47	4.92	29.10
900-10DS_B	10"	11.50	7.99	1.61	14.25	12 : 0.98	9.86	2.58	4.02	0.87	4 : 0.47	4.92	42.33
900-12DS_B	12"	13.27	9.53	1.61	17.01	12 : 0.98	11.87	3.03	4.02	0.87	4 : 0.47	5.51	71.65
900-14DS_B	14"	14.49	10.51	1.77	18.74	12 : 1.14	13.12	3.01	4.02	0.87	4 : 0.47	5.51	91.05
900-16DS_B	16"	15.75	12.17	2.02	21.26	16 : 1.14	15.34	3.41	5.51	1.06	4 : 0.71	7.76	134.48
900-18DS_B	18"	16.61	12.91	2.02	22.76	16 : 1.26	17.34	4.16	5.51	1.06	4 : 0.71	7.76	174.16
900-20DS_B	20"	18.90	14.21	2.53	25.00	20 : 1.26	19.35	5.19	5.51	1.42	4 : 0.71	7.76	282.19
900-24DS_B	24"	22.13	18.07	2.76	29.51	20 : 1.38	23.33	5.98	6.50	1.42	4 : 0.91	10.87	414.47
900-30DS_B	30"	25.98	21.22	2.60	36.00	28 : 1.38	29.30	6.50	10.00	-*	8 : 0.71	11.81	723.12
900-36DS_B	36"	28.35	25.83	4.65	41.34	32 : 1.61	34.04	7.99	10.00	-*	8 : 0.71	11.81	1571.89

*Stem is round with key, dimensions and drawings available upon request.